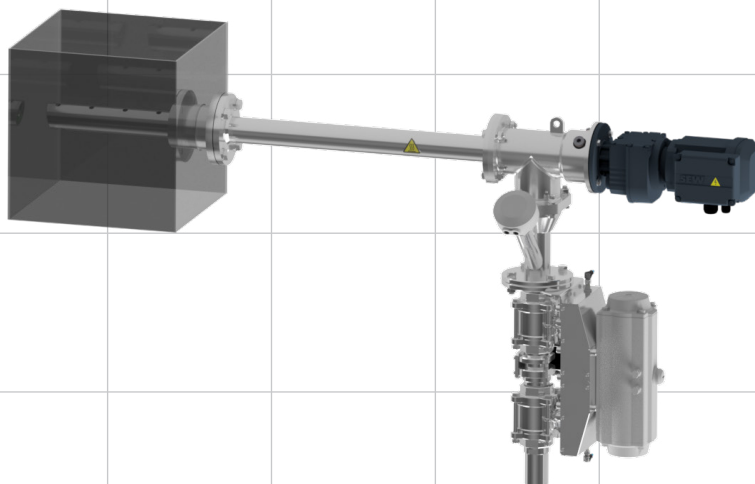




Screw Sampler



QCX[®] PSS101X/102X SCREW SAMPLER ATEX

The Screw Sampler ATEX is designed for spot and continuous sampling of potentially flammable and ignitable granular materials from a chute. Appropriate sample materials include fine powder, particularly coal, as well as granular flowable bulk materials with a grain size up to 2 mm and a maximum temperature of 80°C.

Only certified devices can be used in ATEX zones, so the Screw Sampler ATEX is especially designed for these environments and has a range of safety features to protect your operators. It is a closed system to prevent exposure to hazardous powders, and it is built with explosion-proof valves in the event that coal dust ignites. Risk of explosion is also minimised by the use of materials that do not create sparks.

The Screw Sampler ATEX can also be relied upon for excellent quality and process control. It consistently produces highly representative samples with correct timestamps.

ADVANTAGES

- Certified: compliant with strict ATEX regulations and CE marking, giving you optimal reassurance in inherently dangerous conditions.
- QCX compatible: a future-proof device, the screw sampler gives you seamless integration with various automatic sampling systems and is particularly designed for compatibility with the QCX product suite for best results.
- One of a kind: robust solutions like this with such high-quality results and compliance are rare on the market.

ROBUST AND SAFE SAMPLING SOLUTION

How it works

The Screw Sampler ATEX is usually applied before or after the coal silo in the free-falling material stream. The sample is taken after using reverse drive action to empty the screw. Your operator can select the sampling mode to choose between spot and average samples.

The sample container holds up to two litres of material and is protected against overflowing by a sensor. A mechanical interlock prevents the system from sampling if no container is in place.

The Screw Sampler ATEX can also be used with an automatic sending station; however, the sending station is not ATEX certified and has to be installed outside of the ATEX zone.

Possible configurations

Automated screw sampler / w manual sample collection, ATEX (PSS101X)

Sample collection is taken manually via a designated sample container.

Automated screw sampler / w sending station, ATEX (PSS102X + PTS102)

Sample collection is taken automatically via an automatic sample transport sending station.

SPECIFICATION OF SAMPLER

Sampler length	Up to 1,500 mm, longer on request
Sample material	Dry, non-sticky, up to 80°C, top size 2 mm
Sampling location	Vertical chute with free-falling material
Sample type	Spot and incremental sample
Sample frequency	< 6 samples / hour
Power supply	3 x 380 – 500 V; 50/60 Hz
Compressed air supply	0.6 – 1.0 MPa (Quality 2.4.2 as per ISO 8573-1)
Operating conditions	Temperature: -10°C to 40°C, optional -20°C to 55°C Humidity: 0 – 100 %
Weight	Approx. 70 kg
Dimensions (W x D x H)	Max. 2,000 x 350 x 850 mm
Sampler certification	ATEX zone 20/22

